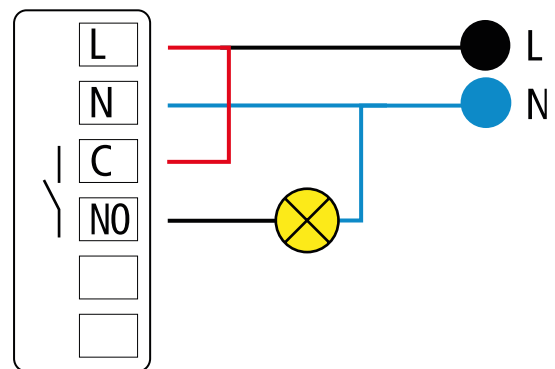


# Vitrum I BS On/Off Classic

## Datasheet

cod. 01B010050

vitrum.com



certified product

## FUNCTIONAL SPECIFICATION

- One-button light switch
- Touch control with capacitive technology and concave surface for tactile Feedback
- Acoustic feedback signal
- Crown backlit by low-consumption LEDs

## COMMAND MODE

- One capacitive button with "On-Off" control or release button

## MECHANICAL CHARACTERISTICS

- Box British 1 Gang wall or plasterboard
- Dimension: 95x95mm
- Depth at sight: 8 mm
- Operating temperature: 0-40°C
- Button Diameter: 38 mm
- Light ring diameter: 42 mm
- Weight: 200 g.

## ELECTRICAL CHARACTERISTICS

- Power: 230Vac
- Energy consumption: < 1W
- Configuration: 3 wires
- Relay 16 A (P.F.=1)
- Output power per channel " < 2400 VA "
- Control of following lamp:
  - Incandenscent
  - Halogenal
- For loads < 1500 VA for the control of:
  - Electronic or electromechanical transformer
  - Fluorescent linear tubes

Built in compliant with:

**CEI EN 60669-2-1**

**Compatibility E.M.C.: CEI EN 55015**

### Think Simple s.r.l.

Size, color tone and characteristics of the products shown are only indicative and do not constitute any contractual bond. Think Simple s.r.l. reserves the right to modify its products at any time and without notice in order to better their quality and functionality.

### HEAD OFFICE

Viale Lino Zanussi, 3  
33170 Pordenone IT  
T +39 0434 516216  
F +39 0434 516230

### ADMINISTRATIVE OFFICE

Corso Garibaldi, 86  
20121 Milano IT  
T +39 02 65560029  
F +39 02 45498295