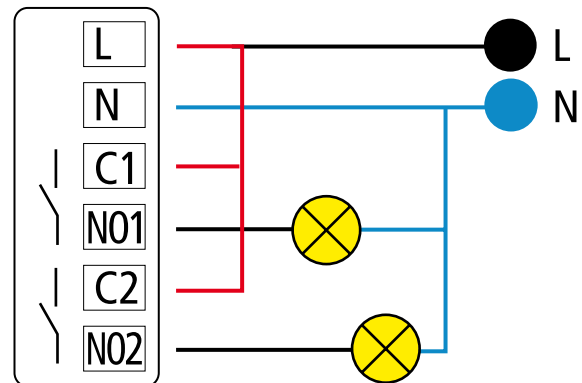


Vitrum II BS On/Off Classic

Datasheet

cod. 01B020050

vitrum.com



certified product

FUNCTIONAL SPECIFICATION

- Two-button light switch
- Touch control with capacitive technology and concave surface for tactile Feedback
- Acoustic feedback signal
- Crown backlit by low-consumption LEDs

COMMAND MODE

- Two capacitive button with "On-Off" control or release button

MECHANICAL CHARACTERISTICS

- Box British 1 Gang (wall or plasterboard)
- Dimension: 95x95mm
- Depth at sight: 8 mm
- Operating temperature: 0-40°C
- Button Diameter: 16 mm
- Light ring diameter: 20 mm
- Weight: 210 g.

ELECTRICAL CHARACTERISTICS

- Power: 230V ac
- Energy consumption: < 1W
- Configuration: 3 wires
- Relay 16 A (P.F.=1)
- Output power per channel " < 2400 VA "
- Control of following lamp:
 - Incandenscent
 - Halogenal
- For loads < 1500 VA for the control of:
 - Electronic or electromechanical transformer
 - Fluorescent linear tubes

Built in compliant with:

CEI EN 60669-2-1

Compatibility E.M.C.: CEI EN 55015

Think Simple s.r.l.

Size, color tone and characteristics of the products shown are only indicative and do not constitute any contractual bond. Think Simple s.r.l. reserves the right to modify its products at any time and without notice in order to better their quality and functionality.

HEAD OFFICE

Viale Lino Zanussi, 3
33170 Pordenone IT
T +39 0434 516216
F +39 0434 516230

ADMINISTRATIVE OFFICE

Corso Garibaldi, 86
20121 Milano IT
T +39 02 65560029
F +39 02 45498295