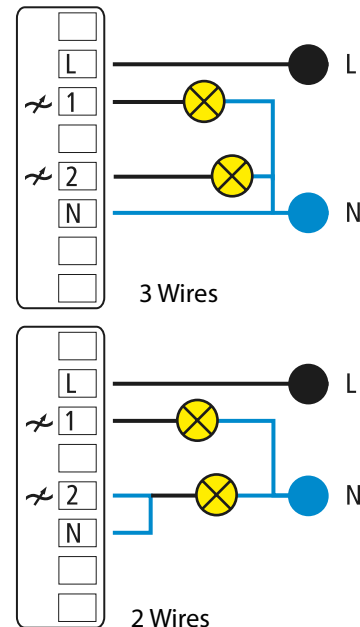
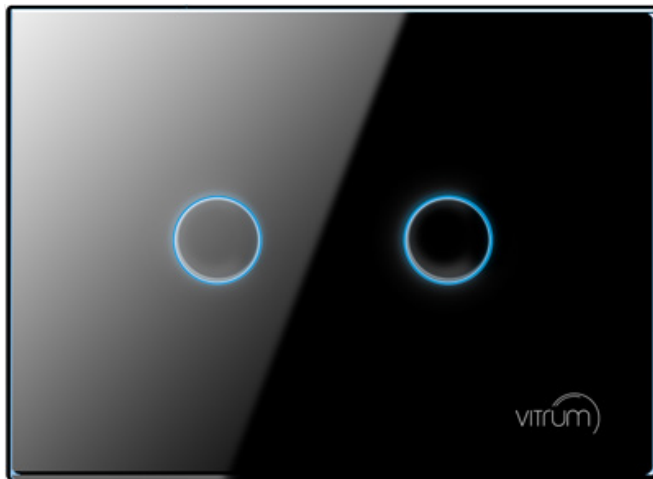


Vitrum II EU Dimmer Classic

Datasheet

cod. 01E020040

vitrum.com



FUNCTIONAL SPECIFICATION

- Two-button light switch
- Touch control with capacitive technology and concave surface for tactile Feedback
- Acoustic feedback signal
- Crown backlit by low-consumption LEDs

COMMAND MODE

- Two capacitive button with "On-Off" control
- Dimmering with Dimming Touch
 - Short pressure On-Off
 - Long pressure from 0 to 100%
- Eco save function "0-65-100%" Mode
- Dimmering with circular lightly touch, iPod like (intensify clockwise, decrees counter clockwise)

MECHANICAL CHARACTERISTICS

- Fitting Box 503 wall or plasterboard
- Dimension: 126x95mm
- Depth at sight: 8 mm
- Operating temperature: 0-40°C
- Button Diameter: 16 mm
- Light ring diameter: 20 mm
- Weight: 210 g.

ELECTRICAL CHARACTERISTICS

- Power: 230V ac
- Energy consumption: < 1W
- Configuration: 2 wires if output >40 VA, 3 wire if output <40 VA
- Output power per channel > 20VA e < 300VA
- Control of following lamp:
 - Incandenscent
 - Halogenal
- Mosfet technology
- Short-circuit protection

Built in compliant with:

B.T.: 2006/95/CE

E.M.C.: 2004/108/CE

R&TTE: 1999/5/CE

Think Simple s.r.l.

Size, color tone and characteristics of the products shown are only indicative and do not constitute any contractual bond. Think Simple s.r.l. reserves the right to modify its products at any time and without notice in order to better their quality and functionality.

HEAD OFFICE

Viale Lino Zanussi, 3
33170 Pordenone IT
T +39 0434 516216
F +39 0434 516230

ADMINISTRATIVE OFFICE

Corso Garibaldi, 86
20121 Milano IT
T +39 02 65560029
F +39 02 45498295