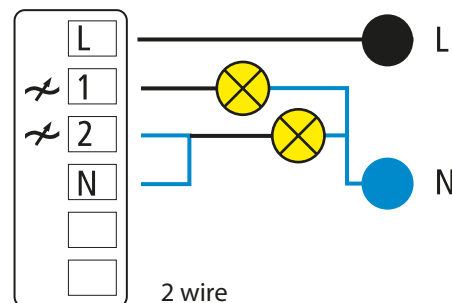
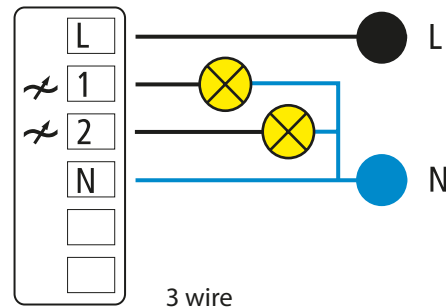


Vitrum II BS Dimmer Wireless

Datasheet

cod. 01B020010

vitrum.com



certified product

FUNCTIONAL SPECIFICATION

- Two-button light switch
- Touch control with capacitive technology and concave surface for tactile Feedback
- Acoustic feedback signal
- Crown backlit by low-consumption LEDs

COMMAND MODE

- Two capacitive button with "On-Off" control
- Dimming with Dimming Touch:
 - Short pressure On-Off
 - Long pressure from 0 to 100%
- Eco save function "0-65-100%" Mode
- Dimming with circular lightly touch, iPod like (intensify clockwise, decrees counter clockwise)

MECHANICAL CHARACTERISTICS

- Box British 1 Gang wall or plasterboard
- Dimension: 95x95mm
- Depth at sight: 8 mm
- Operating temperature: 0-40°C
- Button Diameter: 16 mm
- Light ring diameter: 20 mm
- Weight: 200 g

ELECTRICAL CHARACTERISTICS

- Power: 230V
- Energy consumption: < 1W
- Configuration: 2 wires if output >40 VA, 3 wire if output <40 VA
- Output power per channel > 20VA e < 300VA
- Control of following lamp:
 - Incandenscent
 - Halogen
- Z-wave Wireless communication
- Frequency of communication: F.M. 868.4MHz - R.F radiated power <1mW
- R.F. Range: 20 m. MAX (open field)
- Mosfet technology
- Short-circuit protection

Built in compliant with:

B.T.: 2006/95/CE
E.M.C.: 2004/108/CE
R&TTE: 1999/5/CE

Think Simple s.r.l.

Size, color tone and characteristics of the products shown are only indicative and do not constitute any contractual bond. Think Simple s.r.l. reserves the right to modify its products at any time and without notice in order to better their quality and functionality.

HEAD OFFICE

Viale Lino Zanussi, 3
 33170 Pordenone IT
 T +39 0434 516216
 F +39 0434 516230

ADMINISTRATIVE OFFICE

Corso Garibaldi, 86
 20121 Milano IT
 T +39 02 65560029
 F +39 02 45498295