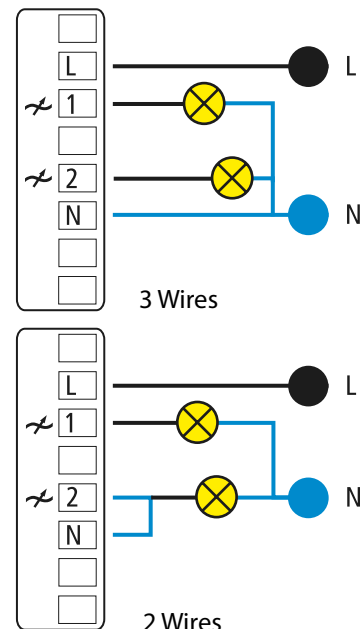
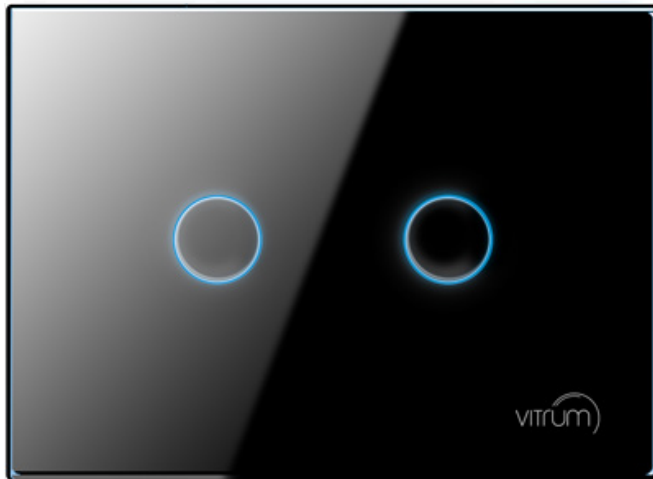


# Vitrum II EU Dimmer Wireless

## Datasheet

cod. 01E020010

vitrum.com



certified product

## SPECIFICHE FUNZIONALI

- Two-button light switch
- Touch control with capacitive technology and concave surface for tactile Feedback
- Acoustic feedback signal
- Crown backlit by low-consumption LEDs

## MODALITÀ DI COMANDO

- Two capacitive button with "On-Off" control
- Dimmering with Dimming Touch
  - Short pressure On-Off
  - Long pressure from 0 to 100%
- Eco sale function "0-65-100%" Mode
- Dimmering with circular lightly touch, iPod like (intensify clockwise, decrees counter clockwise)

## CARATTERISTICHE MECCANICHE

- Fitting Box 503 (wall or plasterboard)
- Dimension 126x95mm
- Depth at sight 8 mm
- Operating temperature: 0-40°C
- Button Diameter:16 mm
- Light ring diameter:20 mm
- Weight: 210 g.

## CARATTERISTICHE ELETTRICHE

- Power: 230V ac
- Energy consumption: < 1W
- Configuration: 2 wires if output >40 VA, 3 wire if output <40 VA
- Output power per channel > 20VA e < 300VA
- Control of following lamp:
  - Incandescent
  - Halogen
- Z-wave Wireless communication
- Frequency of communication: F.M. 868.4MHz - R.F radiated power <1mW
- R.F. Range: 20 m. MAX (open field)
- Mosfet technology
- Short-circuit protection

Built in compliant with:

**B.T.:** 2006/95/CE

**E.M.C.:** 2004/108/CE

**R&TTE:** 1999/5/CE

### Think Simple s.r.l.

Size, color tone and characteristics of the products shown are only indicative and do not constitute any contractual bond. Think Simple s.r.l. reserves the right to modify its products at any time and without notice in order to better their quality and functionality.

### HEAD OFFICE

Viale Lino Zanussi, 3  
33170 Pordenone IT  
T +39 0434 516216  
F +39 0434 516230

### ADMINISTRATIVE OFFICE

Corso Garibaldi, 86  
20121 Milano IT  
T +39 02 65560029  
F +39 02 45498295